

Galley® Line

Sanitary, Heavy Duty

Self-Service

Soup and Chili Bar Module

Item No. _____

Model No. 9011
Model No. 9012

A1A11420

The **Galley®** SOUPREME – You can put more variety into your Galley Line buffet serving system by adding this module that's designed for self-service of cereals, soups, stew or chili. Module will keep foods deliciously hot all through serving hours. Each well holds 8-quart round insets.

- Aesthetic design, three neutral colors, dove white, pewter tan and black pearl blends in with any surroundings.
- Four built-in & concealed stainless steel handles allow easy portability.
- Self-locking and self-aligning features eliminate time consuming hookup.
- Lightweight but extra-strong construction provides ease of mobility.
- Casters and brakes are almost completely concealed from patron's view.
- Soft textured surfaces and rounded corners help prevent skin cuts and clothing snags.



Model 9012 Two-Well Unit

U.S. Patent No's. 4,013,880 and 4,008,931



Cat. No.	Module Size			No. of Soup Wells	Volts	Amps	Phase	Hz	Watts	Shp. Wt. Lbs.	Quantity of Decorator Panels Included
	W	D	H								
9011	28"	28"	36"	1-7 qt.	120	3.8	1	60	450	100	2
9012	28"	28"	36"	2-7 qt.	120	7.5	1	60	900	100	2

Galley® Line

Self-Service Soup and Chili Bar Module Model No. 9011, 9012

To be **Galley® Line** Buffet Soup Bar Module, Model _____ with accessories as specified.

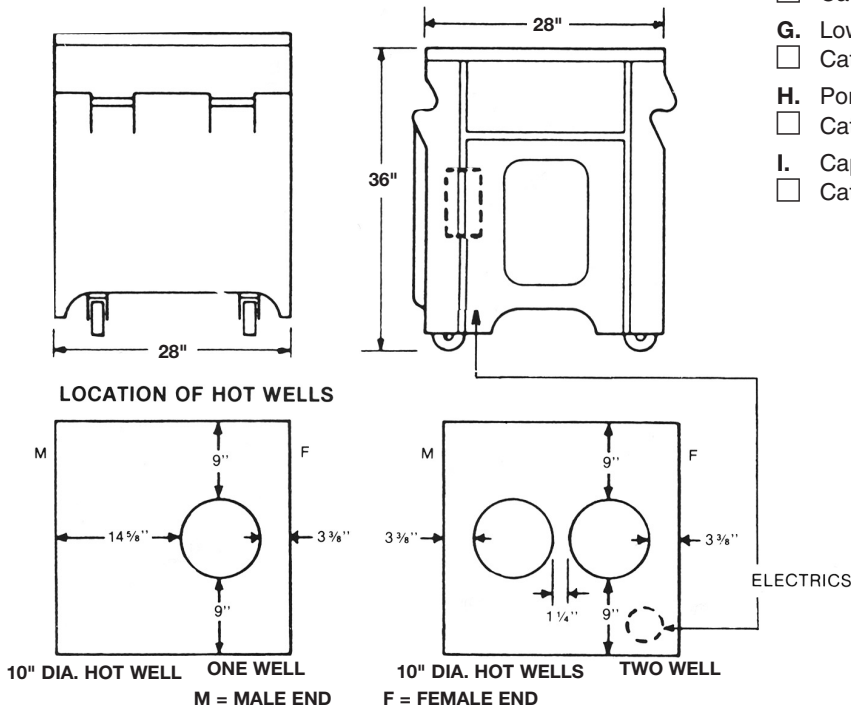
GENERAL: Unit to be self-contained, mobile cafeteria Hot Well module for heated soup. Body material to be one of three neutral base colors, dove white, pewter tan or black pearl. "Materlock" self-locking and aligning end panels allow modules to be interconnected. To have recessed push handles at each end. Two side panels are to be removable for access to hot well controls. Removable side panels to be recessed to accept decorator panels. To be listed by Underwriters' Laboratories, Inc., and National Sanitation Foundation.

CONSTRUCTION: Body material to be of flame retardant ABS formed plastic fastened to a galvanized steel undercarriage. 14 ga. 300 series stainless steel top to have not less than No. 4 finish. Round 7-quart (450W each) soup wells to have solid bottom. Soup wells to hold 8-quart round inset for holding hot soup at serving temperature to be located as shown in specification drawing. Each hot soup well to be individually controlled by means of an infinite switch. Plate mounted 4" diameter swivel casters with toe brakes to be provided. Power supply cord to be 6 feet in length, NEMA 5-15P plug.

Specifications subject to change without notice.

SPECIFICATION DRAWING OF BASIC UNIT

NOTE: If unit is to be used independently, add 4" to width for clearance on all specifications.



ACCESSORIES:

- A.** Decorator panels, specify catalog number and quantity. (See chart on front side.)
- Catalog No. 8700 American Walnut, Quantity _____.
 - Catalog No. 8701 Teakwood, Quantity _____.
 - Catalog No. 8702 Custom Plate, Quantity _____.
- B.** Folding Trayslide. All stainless steel with die-stamped three-rib reinforcement.
- Catalog No. 8771 (*Short 28") 20⁷/₈" width, used on all models.
 - Catalog No. 8772, 28" width.
- *Note:** A "Short Trayslide" must be used on the first module to the right of corner In-Fill Module for inside turns.
- C.** Extension shelf. Stainless steel. Mounted flush with top of module. Self mounting. 16" wide x 28" deep.
- Catalog No. 8754 (Not for use with item E or 8771/8772).
- D.** Undercounter Shelving System (bottom only). All stainless steel. Removable 18" depth with 1" front edge.
- Catalog No. 8756 19¹/₂" width.
- E.** "Mateflat" Panel. (Makes any Galley unit compatible with any other serving line equipment or for squaring unit into wall.) Size: 5³/₈"W x 28"D x 36"H.
- Catalog No. 8761 Male Panel (fits female end).
 - Catalog No. 8762 Female Panel (fits male end).
- F.** Flat End Panel. (Makes any Galley unit compatible with any other serving line equipment or for squaring unit into wall.)
- Catalog No. 8731 Replaces Female "materlock".
 - Catalog No. 8732 Replaces Male "materlock".
- G.** Low End Shelf
- Catalog No. 8725 (Not for use with item E or 8771/8772).
- H.** Portable Breath Guard.
- Catalog No. 8724
- I.** Capacity of 11 qt. available on 9011 only.
- Catalog No. 8842

