

Galley® Line

Sanitary, Heavy Duty
Self-Contained Mobile
Self-Service Freezers
& Refrigerator Modules

Item No. _____

Model No. 9214
Model No. 9215
Model No. 9234
Model No. 9235
Model No. 9244
Model No. 9245

A1A11420



Catalog No. 9244

U.S. Patent No's. 4,013,880 and 4,008,931



Catalog No. 9215



The self-service, self-contained mobile refrigerated modules keep frozen (-10°F) and refrigerated (38°F) foods at ideal temperatures. Has lockable, insulated lid. All models have adjustable temperature controls.

- Freezers for ice cream
- Refrigerators for milk, juice, cold foods, and milk shakes.
- Aesthetic design, three neutral colors, dove white, pewter tan and black pearl blends in with any surroundings.
- Four built-in & concealed stainless steel handles allow easy portability.
- Self-locking and self-aligning features eliminate time consuming hookup.
- Lightweight but extra-strong construction provides ease of mobility.
- Casters and brakes are almost completely concealed from patron's view.
- Soft textured surfaces and rounded corners help prevent skin cuts and clothing snags.



Cat. No.	Module Size			Chest Size			Capacity												
	W	D	H	W	D	H	Volts	Amps	Phase	Hz	Comp. H.P.	2" Baskets	4" Baskets	3 oz. Dixie Cups	Peaked Milk Carton	#8723 Divider Tray	Chest Temp.	Quantity of Decorator Panels Included	Shpg. Wt. Lbs.
9214	28"	28"	36"	20"	21 1/2"	18"	120	3.2	1	60	1/5	7	4	-	210	5	+38°F Refrigerator	2	220
9215	28"	28"	36"	20"	21 1/2"	18"	120	3.2	1	60	1/5	7	4	420	-	5	-10°F Freezer	2	220
9234	50"	28"	36"	41"	21 1/2"	18"	120	5.1	1	60	1/4	21	12	-	420	10	+38°F Refrigerator	6	340
9235	50"	28"	36"	41"	21 1/2"	18"	120	5.1	1	60	1/4	21	12	840	-	5	-10°F Freezer	6	340
9244	64 1/2"	28"	36"	55 1/2"	21 1/2"	18"	120	5.5	1	60	1/4	28	16	-	630	15	+38°F Refrigerator	8	395
9245	64 1/2"	28"	36"	55 1/2"	21 1/2"	18"	120	5.5	1	60	1/4	28	16	-	630	15	-10°F Freezer	8	395

Note: 9234 and 9244 have adjustable temperature controls so they can be turned down for use for milk shakes.

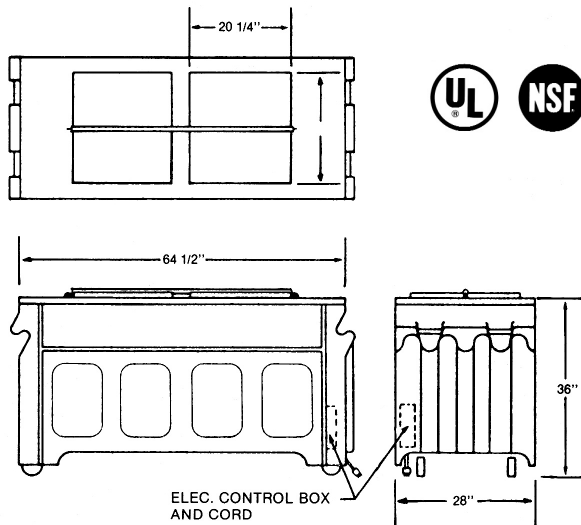
Galley® Line

Self-Contained Mobile Self-Service Refrigerated Modules Model No's. 9214, 9234, 9244, 9215, 9235, 9245

GENERAL: Unit to be self-contained, mobile self-service refrigerator. Body material to be one of three neutral base colors, dove white, pewter tan or black pearl. "Matelock" self-locking and aligning end panels allow modules to be interconnected. To have recessed push handles at each end. Two side panels to be recessed to accept decorator panels. To be listed by the National Sanitation Foundation and Underwriters' Laboratories, Inc.

CONSTRUCTION: Body material to be of flame retardant ABS formed plastic fastened to a galvanneal undercarriage. 14 ga. 300 series stainless steel top to have not less than No. 4 finish. Plate mounted 4" diameter swivel casters with toe brakes to be provided. Power supply cord to be 9½ feet in length. NEMA plug configuration to be 5-15P. To be used with a branch circuit rating of 15 amps, 120V, 1 phase, 60 HZ. Lockable lid, neutral base color, 1 phase, 60 HZ, 120 volts stainless steel tub. Compressor mounted on slides and pulls out for ease in cleaning and service.

SPECIFICATION DRAWING OF BASIC UNIT



MODEL	OVERALL	INTERIOR
9214	28"	20 1/4"
9215	28"	20 1/4"
9234	50"	41 1/4"
9235	50"	41 1/4"
9244	64 1/2"	55 3/2"
9245	64 1/2"	55 3/2"

NOTE: If unit is to be used independently, add 4" to width for clearance on all specifications and add 3¼" to depth for folded trayslide or cutting board, when applicable.

Galley®

50 South US Highway One
 Jupiter, FL 33477-5107
 Phone: 1-561-748-5200
 Fax: 1-561-748-5250
 Web Site: www.galleyline.com

ACCESSORIES:

- A.** Decorator panels, specify catalog number and quantity. (See chart on front side.)
- Catalog No. 8700 American Walnut, Quantity _____ Included.
 - Catalog No. 8701 Teakwood, Quantity _____.
 - Catalog No. 8702 Plain Custom Panel, Quantity _____.
- B.** Folding Trayslides. All stainless steel with die-stamped three-rib reinforcement.
- Catalog No. 8771, (*Short 28") 21 7/8" width.
 - Catalog No. 8772, 28" width.
 - Catalog No. 8773, (*Short 50") 42 7/8" width.
 - Catalog No. 8774, 50" width.
 - Catalog No. 8775, (*Short 64") 57 3/8" width, used on 9251.
 - Catalog No. 8776, 64 1/2" width.
- *Note:** A short trayslide must be used on the first module to the right of Corner In-Fill Module for inside turns.
- C.** Extension shelf. Stainless steel. Mounted flush with top of module. Self-mounting. 16" wide x 28" deep.
- Catalog No. 8754 (Not for use with item F or J).
- D.** Folding Cutting Board. All plastic. Mounted flush on server's side.
- Catalog No. 8763, 50" width, used on Models 9234, 9235.
 - Catalog No. 8764, 64 1/2" width used on 9244.
- E.** Low End Shelf, 18 Ga. stainless steel - 16" wide x 28" deep, easily mounted. (Not for use with item F or J).
- Catalog No. 8725.
- F.** "Mateflat" Panel. (Makes any Galley unit compatible with any other serving line equipment or for squaring unit to wall.) Size 5 3/8"W x 28"D x 36"H.
- Catalog No. 8761 Male Panel (Fits female end).
 - Catalog No. 8762 Female Panel (Fits male end).
- G** Flat End Panels.
- Catalog No. 8731 Replaces Female "matelock"
 - Catalog No. 8732 Replaces Male "matelock".

Specifications subject to change without notice

