

Galley® Line

Sanitary, Heavy Duty
Self-Service 10" Deep
Refrigerated Cold Pan Module
NSF Standard 2 Version

Item No. _____

Model No. 9231

Model No. 9241

Model No. 9251

A1A11420



U.S. Patent No's. 4,013,880 and 4,008,931
Model 9651, 79" width module. Shown with optional Buffet Canopy 8742.



Refrigerated Cold Pan Modules

Cat. No.	Module Size			Pan Size			Volts	Amps	Phase	Comp. H.P.	Hz	Quantity of Decorator Panels Included	Shpg. Wt. Lbs.
	W	D	H	W	D	H							
9231	50"	28"	54"	41"	19 7/8"	10"	120	6.1	1	1/4	60	6	310
9241	64 1/2"	28"	54"	55 1/2"	19 7/8"	10"	120	6.1	1	1/4	60	8	364
9251	79"	28"	54"	70"	19 7/8"	10"	120	6.1	1	1/4	60	10	418

All models 1/4 Horsepower. Includes removable drain bases.

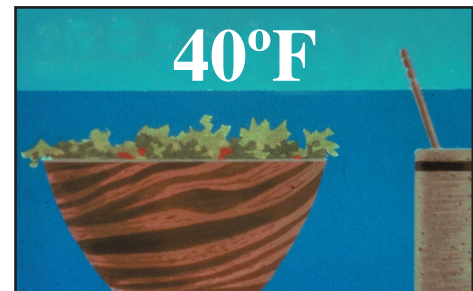
To be **Galley® Line** 10" Deep Refrigerated Cold Pan Unit, Model _____ with accessories as specified.

GENERAL: Unit to be self-contained, self-service 10" deep Refrigerated Cold Pan module for refrigerator temperature foods. Body material to be one of three neutral base colors, dove white, pewter tan or black pearl. "Matelock" self-locking and aligning end panels allow modules to be interconnected. To have recessed push handles at each end. Two side skirts to be removable for access to compressor and controls. Two side skirts to be recessed to accept decorator panels. To be listed by National Sanitation Foundation and Underwriters Laboratories, Inc..

CONSTRUCTION: Body material to be of flame retardant ABS formed plastic fastened to galvanneal under-carriage. 14 ga. 300 series stainless steel top to have not less than #4 finish. Canopy

The **Galley®** PORTAFROST – Ideal for self-service foods that must be kept refrigerated at a constant 40°F. Used for cold desserts, milk shakes, cold cuts, cheeses, spreads, juices, fresh fruits and melons. Ten-inch deep cold pan provides 6" zone of refrigeration which keeps foods at a constant 40°F.

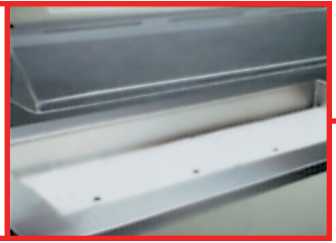
- Lightweight but extra-strong construction provides ease of mobility.
- Casters and brakes are almost completely concealed from patron's view.
- Soft textured surfaces and rounded corners help prevent skin cuts and clothing snags.
- Aesthetic design, three neutral colors, dove white, pewter tan and black pearl blends in with any surroundings.
- Four built-in & concealed stainless steel handles allow easy portability.
- Self-locking and self-aligning features eliminate time consuming hookup.



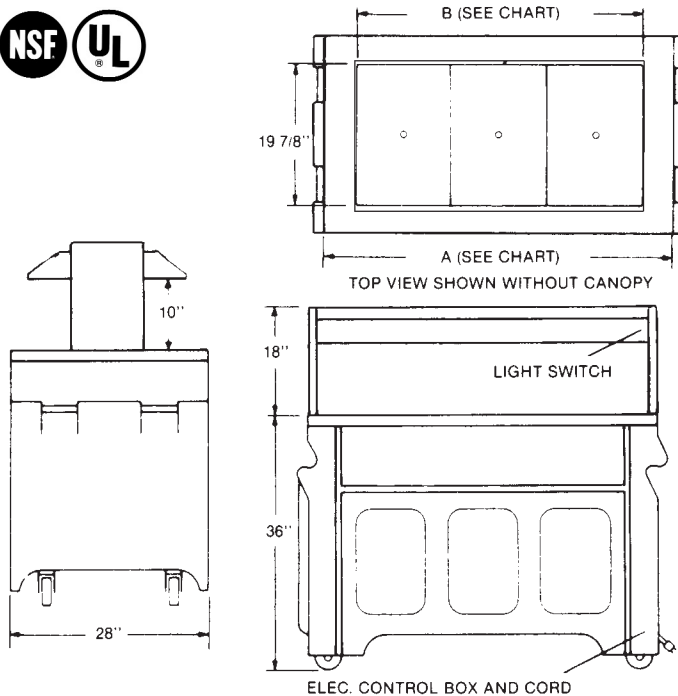
contains polycarbonate protective sleeve guard for fluorescent light. One-piece acrylic breathguard is removable. Canopy is supported by stainless steel uprights and covered with flame retardant ABS formed plastic. To have removable white low gloss ABS plastic drain base. Cold pan drain to include hose and shut-off. Insulated cold pan to be constructed of 300 series stainless steel and shall be 10" deep. The pans are to be set on a ledge 3" below the top surface and surrounded with frost. The cold pan refrigeration system to be a 1/4 h.p. hermetically sealed condensing unit. Condensing unit to be fully enclosed in a corrosion resistant ventilated housing. Plate mounted 4" diameter swivel casters with toe brakes to be provided. Power supply cord to be 6 feet in length. NEMA plug configuration to be 5-15P. To be used with a branch circuit rating of 15 amps, single pole. Power supply cord to be 14 AWG, 3 conductors.

Galley® Line

10" Deep Refrigerated Cold Pan Module Model No's. 9231, 9241, 9251



SPECIFICATION DRAWING OF BASIC UNIT WITH BUFFET CANOPY



Cat. No.	Dim 'A'	Dim 'B'
9231	50"	41"
9241	64 1/2"	55 1/2"
9251	79"	70"

NOTE: If unit is to be used independently, add 4" to width for clearance on all specifications.

ACCESSORIES:

A. Decorator panels, specify catalog number and quantity. (See chart on front side.)

- Catalog No. 8700 American Walnut, Quantity _____ Included.
- Catalog No. 8701 Teakwood, Quantity _____.
- Catalog No. 8702 Plain Custom Panel, Quantity _____.
- Catalog No. 87xx Custom Laminate, Quantity _____.

B. Food Bar Adapters. Adapter bar for use when 12 x 20 pans are placed in cold pan to cover top opening.

- Catalog No. 8751. Model 9231 requires two. Model 9241 requires three. Models 9251 requires four. Quantity _____.

C. Folding Trayslides. All stainless steel with die-stamped three-rib reinforcement.

- Catalog No. 8773, (*Short 50") 42 7/8" width, used on 9231.

- Catalog No. 8774, 50" width, used on model 9231.
- Catalog No. 8775, (*Short 64 1/2") 57 3/8" width, used on 9241.
- Catalog No. 8776, 64 1/2" width, used on model 9241.
- Catalog No. 8777, (*Short 79") 71 7/8" width, used on 9251.
- Catalog No. 8778, 79" width, used on model 9251.

***Note:** A short trayslide must be used on the first module to the right of Corner In-Fill Module for inside turns.

D. Folding Cutting Board. All plastic. Mounted flush on server's side.

- Catalog No. 8763, 50" width, used on model 9231.
- Catalog No. 8764, 64 1/2" width used on model 9241.
- Catalog No. 8765, 79" width used on model 9251.

E. Extension shelf. Stainless steel. Mounted flush with top of module. Self-mounting. 16" wide x 28" deep.

- Catalog No. 8754.

F. "Mateflat" Panel. (Makes any Galley unit compatible with any other serving line equipment or for squaring unit to wall.) Size 5 5/8"W x 28"D x 36"H.

- Catalog No. 8761. Male panel (fits female end).
- Catalog No. 8762. Female panel (fits male end).

G. Food Protector.

- Catalog No. 8780, use with 50" width unit.
- Catalog No. 8781, use with 64 1/2" width unit.
- Catalog No. 8782, use with 79" width unit.

H. Food Protector with Lights.

- Catalog No. 8791, use with 50" width unit.
- Catalog No. 8792, use with 64 1/2" width unit.
- Catalog No. 8793, use with 79" width unit.

I. Double Deck Display Stand without lights.

- Catalog No. 8785, use with 50" width unit.
- Catalog No. 8786, use with 64 1/2" width unit.
- Catalog No. 8787, use with 79" width unit.

J. Double Deck Display Stand with Lights.

- Catalog No. 8788, use with 50" width unit.
- Catalog No. 8789, use with 64 1/2" width unit.
- Catalog No. 8790, use with 79" width unit.

K. Flat End Panel.

- Catalog No. 8731 Replaces Female "matelock"
- Catalog No. 8732 Replaces Male "matelock".

L. Buffet Style Canopy.

- Catalog No. 8740, use with 50" width unit.
- Catalog No. 8741, use with 64 1/2" width unit.
- Catalog No. 8742, use with 79" width unit.

M. Close Off for server's side.

- 8734, use with 50" width unit.
- 8735, use with 64 1/2" width unit.
- 8736, use with 79" width unit.

N. Undercounter Shelving.

- Catalog No. 8752 Only used on 9241.
- Catalog No. 8757 Only used on 9251.

No other undershelves can be used on refrigerated modules.

Specifications subject to change without notice.