

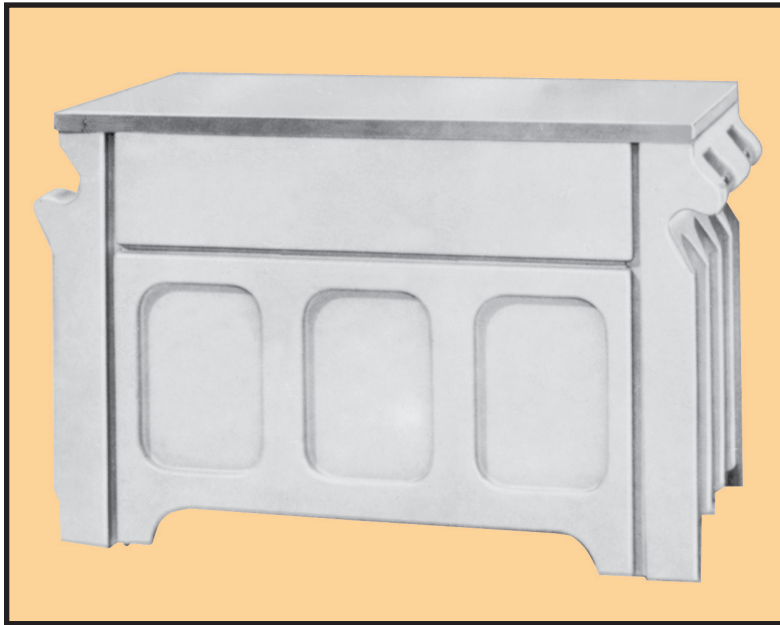
# Galley® Line

Sanitary, Heavy Duty  
Flat Top Utility Module

Item No. \_\_\_\_\_

**Model No. 9310**  
**Model No. 9330**  
**Model No. 9340**  
**Model No. 9350**

A1A11420



**Utility Module** – Attractively merchandises and sells pastries and breads. Helps to increase check averages. Available in four widths.

- Aesthetic design, three neutral colors, dove white, pewter tan or black pearl blend in with any surroundings.
- Four built-in & concealed stainless steel handles allow easy portability.
- Self-locking and self-aligning features eliminate time consuming hookup.
- Lightweight but extra-strong construction provides ease of mobility.
- Casters and brakes are almost completely concealed from patron's view.
- Soft textured surfaces and rounded corners help prevent skin cuts and clothing snags.

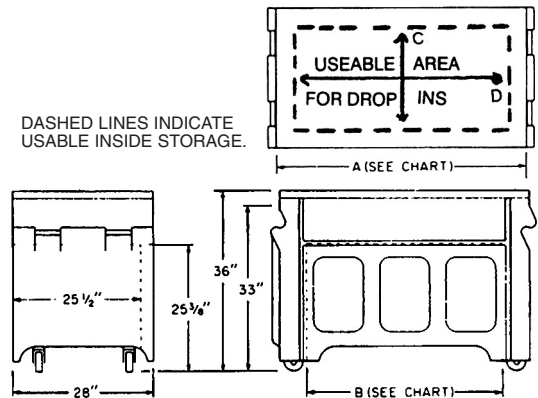
U.S. Patent No's. 4,013,880/ Des. 244,735



## Utility Module

Cat. No.	Module Size			Shpg. Wt. Lbs.	Quantity of Decorator Panels Included
	W	D	H		
9310	28"	28"	36"	105	1
9330	50"	28"	36"	170	3
9340	64 1/2"	28"	36"	195	4
9350	79"	28"	36"	225	5

## SPECIFICATION DRAWING OF BASIC UNIT



To be **Galley® Line** Flat Top Utility Module \_\_\_\_\_ with accessories as specified.

**GENERAL:** Unit to be self-contained, mobile Utility module for room temperature foods. Body material to be one of three neutral base colors, dove white, pewter tan or black pearl. "Matelock" self-locking and aligning end panels allow modules to be interconnected. To have recessed push handles at each end. Removable side panel on customer's side to be recessed to accept decorator panels. Server's side to be open to accept accessories. To be listed by National Sanitation Foundation and Underwriters Laboratories, Inc.

**CONSTRUCTION:** Body material to be of flame retardant ABS formed plastic fastened to galvanneal undercarriage. 14 ga. 300 series stainless steel top to have not less than #4 finish. Plate mounted 4" diameter swivel casters with toe brakes to be provided.

Cat. No.	Dim. 'A'	Dim. 'B'	Dim. 'C'	Dim. 'D'
9310	28"	17"	22 3/4"	22"
9330	50"	39"	22 3/4"	44"
9340	64 1/2"	53 1/2"	22 3/4"	58 1/2"
9350	79"	68"	22 3/4"	73"

**NOTE:** If unit is to be used independently, add 4" to width for clearance on all specifications. Add 3 1/2" to depth for folded trayslide and 3 1/4" for folded cutting board.

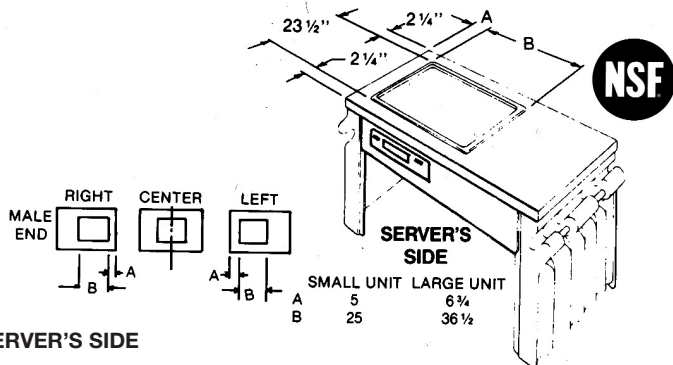
# Galley<sup>®</sup> Line Flat Top Utility Module

## Model No's. 9310, 9330, 9340, 9350

### ACCESSORIES:

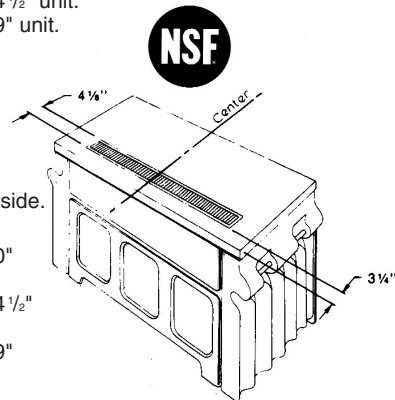
- A.** Decorator panels, specify catalog number and quantity. (See chart on front side).
- Catalog No. 8700 American Walnut, Quantity \_\_\_\_\_ Included.
  - Catalog No. 8701 Teakwood, Quantity \_\_\_\_\_.
  - Catalog No. 8702 Plain Custom Panel, Quantity \_\_\_\_\_.
- B.** Folding Trayslides. All stainless steel with die-stamped three-rib reinforcement.
- Catalog No. 8771, (\*Short 28") 20<sup>7</sup>/<sub>8</sub>" width, used on 9310.
  - Catalog No. 8772, 28" width, used on 9310.
  - Catalog No. 8773, (\*Short 50") 42<sup>7</sup>/<sub>8</sub>" width, used on 9330.
  - Catalog No. 8774, 50" width, used on 9330.
  - Catalog No. 8775, (\*Short 64<sup>1</sup>/<sub>2</sub>") 57<sup>3</sup>/<sub>8</sub>" width, used on 9340.
  - Catalog No. 8776, 64<sup>1</sup>/<sub>2</sub>" width, used on 9340.
  - Catalog No. 8777, (\*Short 79") 71<sup>1</sup>/<sub>8</sub>" width, used on 9350.
  - Catalog No. 8778, 79" width, used on 9350.
- \*Note:** A short trayslide must be used on the first module to the right of the Corner In-Fill Module for inside turns.
- C.** Food Protector with plastic shelf, breathguard and stainless steel upright supports. 14" high. Field mounted. Not available on model 9310.
- Catalog No. 8780, 50" width, used on 9330. Unlighted.
  - Catalog No. 8791, 50" width, used on 9330. Lighted. UL listed.
  - Catalog No. 8781, 64<sup>1</sup>/<sub>2</sub>" width, used on 9340. Unlighted.
  - Catalog No. 8792, 64<sup>1</sup>/<sub>2</sub>" width, used on 9340. Lighted. UL listed.
  - Catalog No. 8782, 79" width, used on 9350. Unlighted.
  - Catalog No. 8793, 79" width, used on 9350. Lighted. UL listed.
- D.** Double Deck Display Stand with two plastic shelves, breathguard and stainless steel upright supports. 18" high.
- Catalog No. 8785, 50" width, used on 9330. Unlighted.
  - Catalog No. 8788, 50" width, used on 9330. Lighted.
  - Catalog No. 8786, 64<sup>1</sup>/<sub>2</sub>" width, used on 9340. Unlighted.
  - Catalog No. 8789, 64<sup>1</sup>/<sub>2</sub>" width, used on 9340. Lighted.
  - Catalog No. 8787, 79" width, used on 9350. Unlighted.
  - Catalog No. 8790, 79" width, used on 9350. Lighted.
- E.** Folding Cutting Board. All plastic. Mounted flush on server's side. Not available on Model 9310.
- Catalog No. 8763, 50" width, used on 9330.
  - Catalog No. 8764, 64<sup>1</sup>/<sub>2</sub>" width, used on 9340.
  - Catalog No. 8765, 79" width, used on 9350.
- F.** Extension shelf. Stainless steel. Mounted flush with top of module. Self-mounting. 16" wide x 28" deep.
- Catalog No. 8754. (Not for use with item L or M).
- G.** Undercounter Shelving System. Maximum: two per unit. All stainless steel. Removable. 18" depth with 1" front edge.
- Catalog No. 8756, 19<sup>1</sup>/<sub>2</sub>" width, used on 9310.
  - Catalog No. 8757, 41<sup>1</sup>/<sub>2</sub>" width, used on 9330.
  - Catalog No. 8758, 56<sup>1</sup>/<sub>16</sub>" width, used on 9340.
  - Catalog No. 8759, 70<sup>1</sup>/<sub>2</sub>" width, used on 9350.
- H.** Utility Drawer. Stainless steel. Has lock and removable liner. Outside dimensions: 25<sup>1</sup>/<sub>4</sub>"W x 23"D x 7<sup>1</sup>/<sub>4</sub>"H. Mounted to right on server's side. Will not fit Model 9310.
- Catalog No. 8760.
- I.** "Mateflat" Panel. (Makes any Galley unit compatible with any other serving line equipment or for squaring unit to wall.) Size 5<sup>3</sup>/<sub>8</sub>"W x 28"D x 36"H.
- Catalog No. 8761 Male Panel (Fits female end).
  - Catalog No. 8762 Female Panel (Fits male end).
- J.** Heated Shelf.
- Catalog No. 8726, use with 50" unit.
- K.** Griddle.
- Catalog No. 8728, 25" 208-240V. 1 & 3 phase. UL listed.
  - Catalog No. 8729, 36<sup>1</sup>/<sub>2</sub>" 208V. 1 & 3 phase. UL listed.
  - Catalog No. 8730, 36<sup>1</sup>/<sub>2</sub>" 240V. 1 & 3 phase. UL listed.

**Griddle:** Controlled by dual-variable thermostats with signal lights. Top is one-half inch thick polished steel. Grease trough empties into front removable grease drawer. Griddle furnished with stainless steel cover.



### SERVER'S SIDE

- L.** Lid Storage.
- Catalog No. 8727.
- M.** Flat End Panel. (Makes any Galley unit compatible with any other serving line equipment or for squaring to wall.)
- Catalog No. 8731, Replaces female "matelock".
  - Catalog No. 8732, Replaces male "matelock".
- N.** Cutting Board for Griddle.
- Catalog No. 8763, use with 50" unit.
  - Catalog No. 8764, use with 64<sup>1</sup>/<sub>2</sub>" unit.
  - Catalog No. 8765, use with 79" unit.
- O.** Drain.
- Catalog No. 8715, 18" long.
  - Catalog No. 8716, 24" long.
  - Catalog No. 8717, 30" long.
  - Catalog No. 8718, 36" long.
- Drain trough with drain hose and valve to be located on customer's side.
- P.** Merchandising Shelf.
- Catalog No. 8722, use with 50" width unit.
  - Catalog No. 8713, use with 64<sup>1</sup>/<sub>2</sub>" width unit.
  - Catalog No. 8714, use with 79" width unit.
- Q.** Portable Breathguard.
- Catalog No. 8724.
- R.** Buffet Style Canopy.
- Catalog No. 8740, use with 50" width unit. UL listed.
  - Catalog No. 8741, use with 64<sup>1</sup>/<sub>2</sub>" width unit. UL listed.
  - Catalog No. 8742, use with 79" width unit. UL listed.
- S.** Low End Shelf.
- Catalog No. 8725. (Not for use with item I or M).
- T.** Buffet Style Canopy with Heat Lamps.
- Catalog No. 8743, use with 50" unit. UL listed.
  - Catalog No. 8744, use with 64<sup>1</sup>/<sub>2</sub>" unit. UL listed.
  - Catalog No. 8745, use with 79" unit. UL listed.
- U.** Close-Off for Server's Side.
- Catalog No. 8733, use with 28" width unit.
  - Catalog No. 8734, use with 50" width unit.
  - Catalog No. 8735, use with 64<sup>1</sup>/<sub>2</sub>" width unit.
  - Catalog No. 8736, use with 79" width unit.
- V.** Electrical Outlets (Not UL listed).
- Catalog No. 8696, Tombstone, Top Mounted, Duplex, 125V, 15 AMP.
  - Catalog No. 8697, Operator Side, Under Top Skirt, Duplex, 120V, 16 AMP.
  - Catalog No. 8698, Operator Side, Under Top Skirt, Duplex, 120V, 15 AMP.
  - Catalog No. 8699, Operator Side, Under Top Skirt, Single, 120V, 15 AMP
- Note: #8696 and #8697 are part of the module wiring. #8698 and #8699 have separate cord set.



**Specifications  
subject to  
change  
without  
notice.**