

# Galley® Line

Sanitary, Heavy Duty  
Deluxe Cashier's  
Station Module

Item No. \_\_\_\_\_

**Model No. 9402**

**Model No. 9403**

**Model No. 9404**

**Model No. 9405**

A1A11420



### Deluxe Cashier's Station Module

- Aesthetic design, three neutral colors, dove white, pewter tan, or black pearl blend in with any surroundings.
- Four built-in & concealed stainless steel handles allow easy portability.
- Self-locking and self-aligning features eliminate time consuming hookup.
- Lightweight but extra-strong construction provides ease of mobility.
- Casters and brakes are almost completely concealed from patron's view.
- Soft textured surfaces and rounded corners help prevent skin cuts and clothing snags.

U.S. PATENT NUMBERS 4,013,880 AND 4,008,931  
Model 9402 shown with optional trayslide.



**DELUXE CASHIER'S STATION** – Unique design permits cashier to sit inside unit, facing patron. Register top is interchangeable so station can be reversed. Includes cash drawer.

Cashier's Station Module (With cash Drawer)	Catalog No.	Description	Width	Depth	Height	Shipping Weight	Quantity of Decorator Panels Required
	9402	Cash drawer on left end (Female end)	50"	28"	36"	290	3
	9403	Cash drawer on right end (Male end)	50"	28"	36"	290	3
	9404	Cash drawer on left end (Female end)	64.5"	28"	36"	340	4
	9405	Cash drawer on right end (Male end)	64.5"	28"	36"	340	4

# Galley® Line

## Deluxe Model Cashier's Station Module Model No. 9402, 9403, 9404, 9405

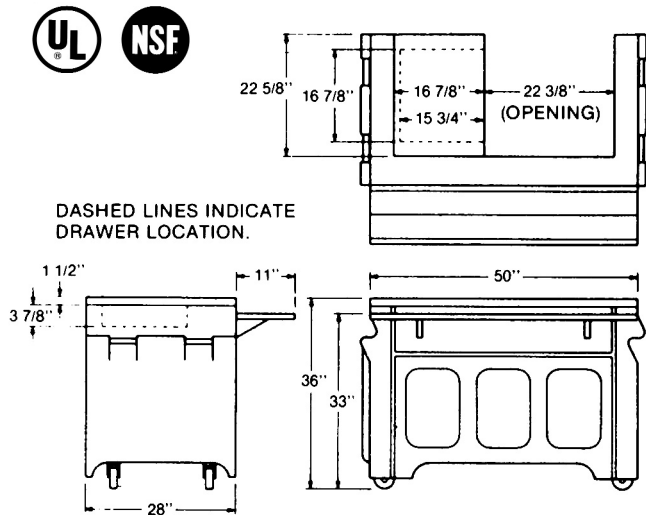
To be **Galley® Line** Deluxe Cashier Station, Model # \_\_\_\_\_ with accessories as specified.

**GENERAL:** Unit to be self-contained, mobile Cashier Module. Body material to be one of three neutral base colors, dove white, pewter tan or black pearl. "Matelock" self-locking and aligning end panels allow modules to be interconnected. To have recessed push handles at each end. Removable side panel on customer's side to be recessed to accept decorator panels. (Register top is to be interchangeable so station can be reversed). Cash drawer to be included with unit. To be listed by National Sanitation Foundation and Underwriters' Laboratories', Inc.

**CONSTRUCTION:** Body material to be of flame retardant ABS formed plastic fastened to a corrosion resistant steel undercarriage. 14 ga. 300 series stainless steel top to have not less than #4 finish. Unit to have bottom shelf for foot rest. Cash drawer can be mounted on server's side or at end of the field. Plate mounted 4" diameter swivel casters with toe brakes to be provided.

Specifications subject to change without notice.

### SPECIFICATION DRAWING OF BASIC UNIT



**NOTE:** If unit is to be used independently, add 4" to width for clearance on all specifications. Add 3 1/2" to depth for folded trayslide.

### ACCESSORIES:

- A.** Decorator panels, specify catalog number and quantity. (See chart on front side).
- Catalog No. 8700 American Walnut, Quantity \_\_\_\_\_ Included.
  - Catalog No. 8701 Teakwood, Quantity \_\_\_\_\_.
  - Catalog No. 8702 Plain Custom Panel, Quantity \_\_\_\_\_.
- B.** Folding Trayslides. All stainless steel with die-stamped three-rib reinforcement.
- Catalog No. 8773, (\*Short 50") 42 7/8" width.
  - Catalog No. 8774, 50" width.
- \*Note:** A short trayslide must be used on the first module to the right of Corner In-Fill Module for inside turns.
- C.** Extension shelf. Stainless steel. Mounted flush with top of module. Self-mounting. 16" wide x 28" deep.
- Catalog No. 8754.
- D.** "Mateflat" Panel. (Makes any Galley unit compatible with any other serving line equipment or for squaring unit to wall.) Size 5 3/8"W x 28"D x 36"H.
- Catalog No. 8761 Male Panel (Fits female end).
  - Catalog No. 8762 Female Panel (Fits male end).
- E.** Flat End Panel.
- Catalog No. 8731. Replaces Female "Matelock".
  - Catalog No. 8732. Replaces Male "Matelock".
- F.** Low End Shelf.
- Catalog No. 8725.
- G.** Outlet.
- Catalog No. 8698. 120V 15A Duplex Outlet.