

Galley® Line

Sanitary, Heavy Duty

Cafeteria Tray/Silverware
Module & Condiment Module

Item No. _____

Model No. 9429
Model No. 9430
Model No. 9434
Model No. 9436
Model No. 9437
Model No. 9440
Model No. 9441
Model No. 9830
Model No. 9836

A1A1420



Tray/Silverware Module – For starting end of cafeteria serving line. Top silverware cylinder holder can be easily adjusted for access from either front or back of module.

- Aesthetic design, three neutral colors, dove white, pewter tan, or black pearl blend in with any surroundings.
- Four built-in & concealed stainless steel handles allow easy portability.
- Self-locking and self-aligning features eliminate time consuming hookup.
- Lightweight but extra-strong construction provides ease of mobility.
- Casters and brakes are almost completely concealed from patron's view.
- Soft textured surfaces and rounded corners help prevent skin cuts and clothing snags.

Tray/Silverware Module #9430 shown

Plastic silverware cylinders are not included with basic unit.

U.S. PATENT NUMBERS 4,013,880 AND 4,008,931



Plate and Tray Starters and Condiment modules		Model Number	Electrical	Description	Dimensions Width-Depth-Height	Freight Class	Shipping Weight Pounds
<p>9430 9441 9830</p> <p>Tray Starter</p>		9430	None	Tray/Silverware Module Holds 12 Optional #45 Silverware Cylinders and up to 168 14 x 18 trays.	34.75" 28" 47.5"	85	240
		9441	None	Open Top Tray Starter, same as 9430 without silverware dispenser	34.75" 28" 36"	85	240
		9830	None	Same as 9430 but with 4 compartment tote box in lieu of Silverware Cylinders	34.75" 28" 36"	85	240
<p>Front View 9832* Rear View 9832* Front View 9429</p> <p>Undercounter Tray Starter (*Shown with optional 8710)</p>		9429	None	Undercounter Tray Starter	34.75" 28" 36"	85	240
		9832	None	Tray Starter-Closed Front, Open Rear, Stainless Steel Liner	28" 28" 36"	85	240
		Open for Service From Both Sides.					
<p>9434 9440 9437</p> <p>Condiments</p>		9434	None	Condiment & Silverware Module with two started shelves each holding one 4-compartment condiment bin for sugar, ketchup, straws, salt & pepper, sugar etc. and one 12 compartment silverware holder #8709.	34.75" 28" 47.5"	85	340
		9440	None	Same as 9434, without 8709 and with a third tote bin for condiments.	34.75" 28" 47.5"	85	340
		9437	None	A 9434 without the silverware bins on top	34.75" 28" 47.5"	85	340
<p>9436 9836</p> <p>Condiments, Trays, & Silverware</p>		9436	None	Condiment & Silverware & Tray 12 compartment silverware holder 4 compartment condiment bin, and tray shelf.	34.75" 28" 47.5"	85	340
		9836	None	Same as 9436 without silverware dispenser	34.75" 28" 36"	85	340
		9837	None	Same as 9836 with a second 4 Compartment Condiment Bin	34.75" 28" 36"	85	340
				Optional Silverware Cylinders, Plastic: #P45 (12 Required). Optional: #8884 Bulk Napkin Pan 6 3/8" x 10 3/8" x 4" in lieu of four silverware canister openings.			

Galley® Line

Cafeteria Tray/Silverware & Condiment Modules

Model No's. 9429, 9430, 9434, 9436, 9437, 9440, 9441, 9830, 9836

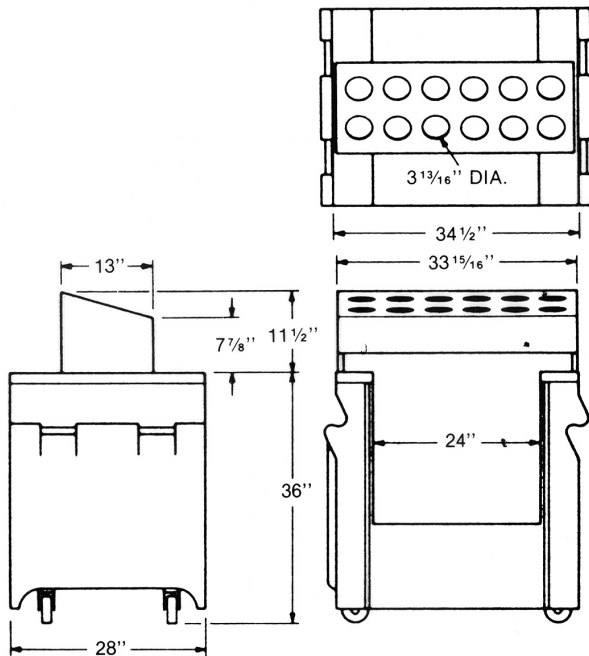
To be **Galley® Line** Tray/Silverware Module, Model _____ with accessories as specified.

GENERAL: Unit to be self-contained, mobile self-service Tray/Silverware Module. Body material to be one of two neutral base colors, dove white or pewter tan. "Matelock" self-locking and aligning end panels allow modules to be interconnected. To have recessed push handles at each end. To be listed by the National Sanitation Foundation.

CONSTRUCTION: Body material to be of flame retardant ABS formed plastic fastened to a galvanneal undercarriage. 14 ga. 300 series stainless steel top to have not less than #4 finish. Tray shelf and sides to be of a 14 ga. 300 series stainless steel. Silverware dispenser to hold 12 cylinders and can be reversed for access from either side. Plate mounted 4" diameter swivel casters with toe brakes to be provided.

Specifications subject to change without notice.

SPECIFICATION DRAWING OF BASIC UNIT



Note: If unit is to be used independently, add 4" to width for clearance on all specifications.



Model 9429 with optional flat end

ACCESSORIES:

- A.** Extension shelf. Stainless steel. Mounted flush with top of module. Self-mounting. 16" wide x 28" deep.
 - Catalog No. 8754. (Not for use with item B or E).
- B.** "Mateflat" Panel. (Makes any Galley unit compatible with any other serving line equipment or for squaring unit to wall.) Size 5 7/8"W x 28"D x 36"H.
 - Catalog No. 8761 Male Panel (Fits female end).
 - Catalog No. 8762 Female Panel (Fits male end).
- C.** Plastic Silverware Cylinders. Holds twelve.
 - Catalog No. P45, Quantity _____.
- D.** Low End Shelf. Self-mounting. 16" wide x 28" deep.
 - Catalog No. 8725.
- E.** Flat End Panel. (Makes any Galley unit compatible with any other serving line equipment or for squaring unit to wall.)
 - Catalog No. 8731. Replaces Female "matelock".
 - Catalog No. 8732. Replaces Male "matelock".

Model 9434



Model 9430 & 9431

