

Galley® Line

Sanitary, Heavy Duty
Storage Modules

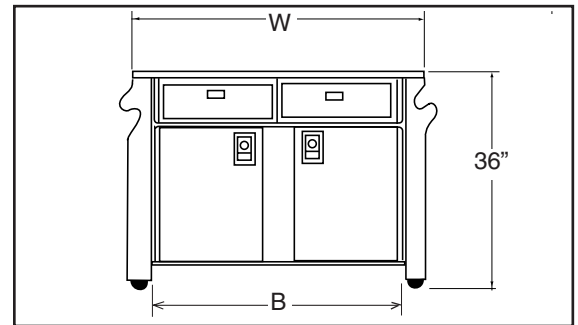
Item No. _____

Model No. 9510
Model No. 9530
Model No. 9531
Model No. 9540
Model No. 9541
Model No. 9550
Model No. 9551

A1A11420



- Aesthetic design, three neutral colors, dove white, pewter tan, or black pearl blend in with any surroundings.
- Four built-in & concealed stainless steel handles allow easy portability.
- Self-locking and self-aligning features eliminate time consuming hookup.
- Lightweight but extra-strong construction provides ease of mobility.
- Casters and brakes are almost completely concealed from patron's view.
- Soft textured surfaces and rounded corners help prevent skin cuts and clothing snags.



9531 shown with optional stainless steel hutch, stainless steel wall guard, stainless steel back splash, and flat ends.



Cat. No.	Module Size			Dim B	Shpg. Wt. Lbs.	Quantity of Decorator Panels Required	Shelves	Doors	Drawers
	W	D	H						
9510	28"	28"	36"	17"	200	1	2	1	0
9530	50"	28"	36"	39"	250	3	2	2	0
9531	50"	28"	36"	39"	250	3	2	2	2
9540	64 1/2"	28"	36"	53 1/2"	300	4	2	2	0
9541	64 1/2"	28"	36"	53 1/2"	300	4	2	2	2
9550	79"	28"	36"	68"	350	5	2	2	0
9551	79"	28"	36"	68"	350	5	2	2	2

To be **Galley® Line** Storage Module _____ with accessories as specified.

GENERAL: Unit to be self-contained, mobile storage module for room temperature foods. Body material to be one of three neutral base colors, dove white, pewter tan or black pearl. "Matelock" self-locking and aligning end panels allow modules to be interconnected. To have recessed pouch handles at each end. Removable side panel on one side to be recessed to accept decorator panels. Stainless steel door(s) have recessed hardware with locks and keys. Two stainless steel shelves are included. Drawers are stainless steel with plastic liners for easy cleaning. To be listed by National Sanitation Foundation.

CONSTRUCTION: Body material to be of flame retardant ABS formed plastic fastened to galvaneal steel under-carriage 14 ga. 300 series stainless steel top to have not less than #4 finish. Plate mounted 4" diameter swivel casters with toe brakes to be provided.

NOTE: If unit is to be used independently, add 4" to width for clearance on all specifications.

Galley® Line

Storage Module

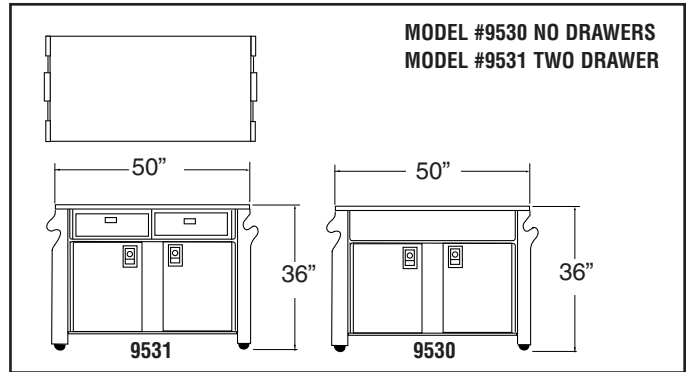
Model No's. 9510, 9530, 9540,
9550, 9531, 9541, 9551

ACCESSORIES:

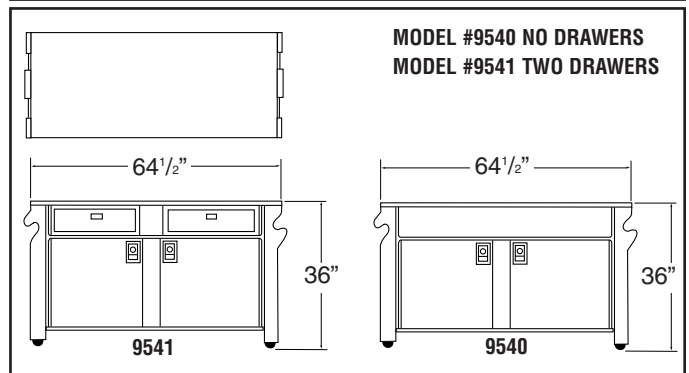
- A.** Decorator panels, specify catalog number and quantity. (See chart on front side).
 Catalog No. 8700 American Walnut, Quantity _____ Included.
 Catalog No. 8701 Teakwood, Quantity _____.
 Catalog No. 8702 Plain Custom Panel, Quantity _____.
 Catalog No. 8705A Light Oak, Quantity _____.
- B.** Folding Trayslides. All stainless steel with die-stamped three-rib reinforcement.
 Catalog No. 8771, (*Short 28") 20⁷/₈" width, used on 9310.
 Catalog No. 8772, 28" width, used on 9310.
 Catalog No. 8773, (*Short 50") 42⁷/₈" width, used on 9330.
 Catalog No. 8774, 50" width, used on 9330.
 Catalog No. 8775, (*Short 64 1/2") 57³/₈" width, used on 9340.
 Catalog No. 8776, 64 1/2" width, used on 9340.1
 Catalog No. 8777, (*Short 79") 71⁷/₈" width, used on 9350.
 Catalog No. 8778, 79" width, used on 9350.
- *Note:** A short trayslide must be used on the first module to the right of Corner In-Fill Module for inside turns.
- C.** Food Protector with plastic shelf, breathguard and stainless steel upright supports. 14" high.
 Catalog No. 8780, 50" width, used on 9330. Unlighted.
 Catalog No. 8791, 50" width, used on 9330. Lighted. UL listed.
 Catalog No. 8781, 64 1/2" width, used on 9340. Unlighted.
 Catalog No. 8792, 64 1/2" width, used on 9340. Lighted. UL listed.
 Catalog No. 8782, 79" width, used on 9350. Unlighted.
 Catalog No. 8793, 79" width, used on 9350. Lighted. UL listed.
- D.** Double Deck Display Stand with two plastic shelves, breathguard and stainless steel upright supports. 18" high.
 Catalog No. 8785, 50" width, used on 9330. Unlighted.
 Catalog No. 8788, 50" width, used on 9330. Lighted. UL listed.
 Catalog No. 8786, 64 1/2" width, used on 9340. Unlighted.
 Catalog No. 8789, 64 1/2" width, used on 9340. Lighted. UL listed.
 Catalog No. 8787, 79" width, used on 9350. Unlighted.
 Catalog No. 8790, 79" width, used on 9350. Lighted. UL listed.
- E.** Folding Cutting Board. All plastic. Mounted flush on server's side. Not available on Model 9310.
 Catalog No. 8763, 50" width, used on 9330.
 Catalog No. 8764, 64 1/2" width, used on 9340.
 Catalog No. 8765, 79" width, used on 9350.
- F.** "Mateflat" Panel. (Makes any Galley unit compatible with any other serving line equipment or for squaring unit to wall.) Size 5³/₈"W x 28"D x 36"H.
 Catalog No. 8761 Male Panel (Fits female end).
 Catalog No. 8762 Female Panel (Fits male end).
- G.** Heated Shelf.
 Catalog No. 8726, use with 50" unit.
- H.** Flat End Panel. (Makes any Galley unit compatible with any other serving line equipment or for squaring to wall.)
 Catalog No. 8731, Replaces female "matelock".
 Catalog No. 8732, Replaces male "matelock".
- I.** Urn Drain. Not on models with drawers.
 Catalog No. 8715, 18" long.
 Catalog No. 8716, 24" long.
 Catalog No. 8717, 30" long.
 Catalog No. 8718, 36" long.
- Drain trough with drain hose and valve to be located on customer's side.
- J.** Merchandising Shelf.
 Catalog No. 8722, use with 50" width unit.
 Catalog No. 8713, use with 64 1/2" width unit.
 Catalog No. 8714, use with 79" width unit.
- K.** Portable Breathguard.
 Catalog No. 8724.
- L.** Buffet Style Canopy.
 Catalog No. 8740, use with 50" unit. UL listed.
 Catalog No. 8741, use with 64 1/2" unit. UL listed.
 Catalog No. 8742, use with 79" unit. UL listed



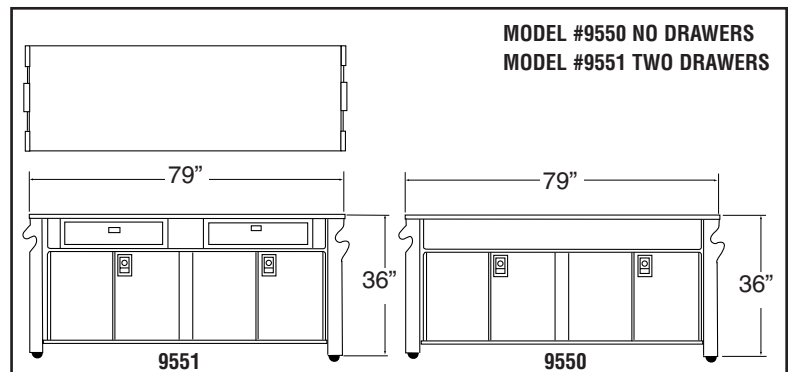
MODEL #9510 ONE DOOR
NOT AVAILABLE WITH
DRAWER



MODEL #9530 NO DRAWERS
MODEL #9531 TWO DRAWER



MODEL #9540 NO DRAWERS
MODEL #9541 TWO DRAWERS



MODEL #9550 NO DRAWERS
MODEL #9551 TWO DRAWERS

- M.** Low End Shelf.
 Catalog No. 8725. (Not for use with item I or M).
- N.** Buffet Style Canopy with Heat Lamps.
 Catalog No. 8743, use with 50" width unit. UL listed.
 Catalog No. 8744, use with 64 1/2" width unit. UL listed.
 Catalog No. 8745, use with 79" width unit. UL listed.
- O.** Electrical Outlets (Not UL listed).
 Catalog No. 8696, Tombstone, Top Mounted, Duplex, 125V, 15 AMP.
 Catalog No. 8697, Operator Side, Under Top Skirt, Duplex, 120V, 16 AMP.
 Catalog No. 8698, Operator Side, Under Top Skirt, Single, 120V, 15 AMP.
 Catalog No. 8699, Operator Side, Under Top Skirt, Single, 120V, 15 AMP
- Note: #8696 and #8697 are part of the module wiring. #8698 and #8699 have separate cord set.

Specifications subject to change without notice.