

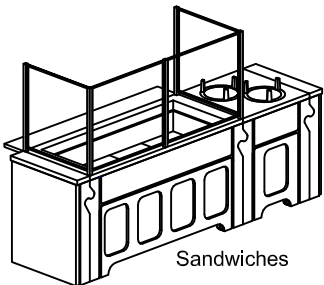
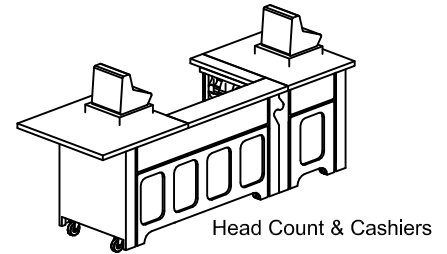
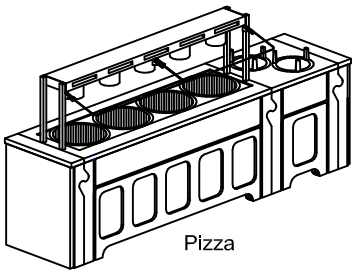
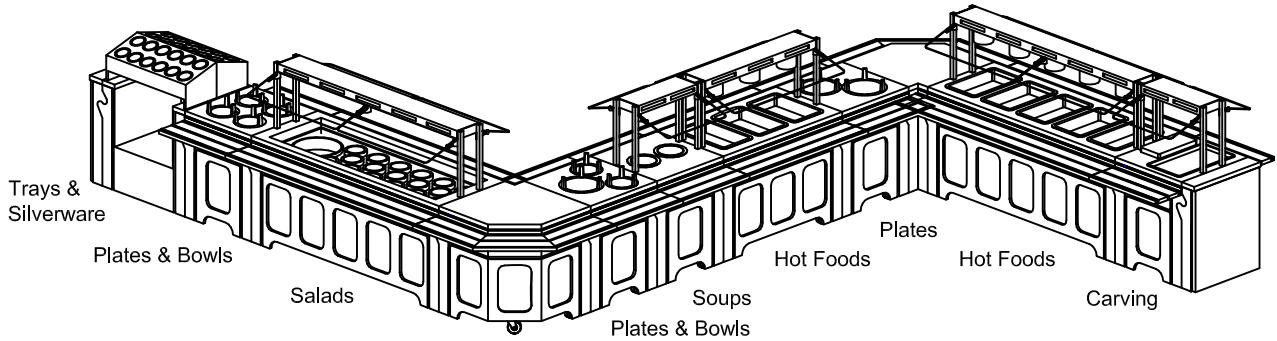
Serving Line Equipment

Manufactured for

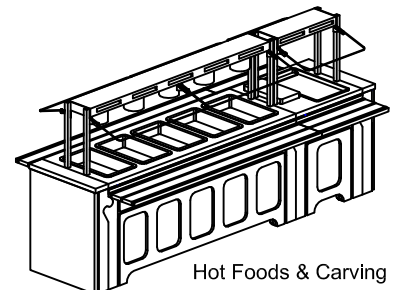
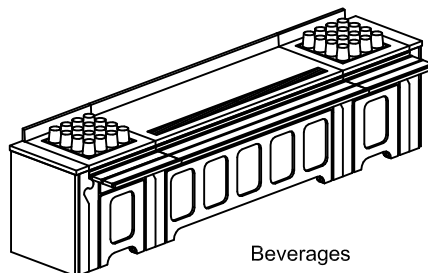
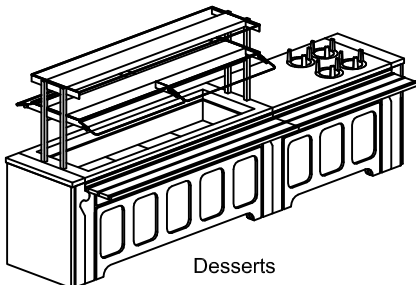
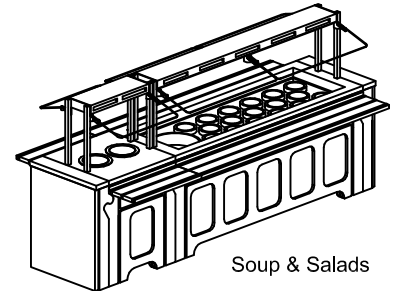
Army Dining Facilities

Galley[®]
INC.

Sanitary & Heavy Duty Serving Lines
Custom Looks at Standard & Affordable Prices



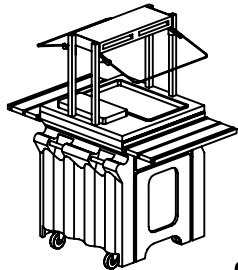
- **PIZZA STATIONS**
- **SANDWICH BARS**
- **HOT FOOD STATIONS**
- **CARVING STATIONS**
- **SOUP & SALAD BARS**
- **DESSERT STATIONS**
- **BEVERAGE STATIONS**
- **HEAD COUNT STATIONS**
- **CASHIER COUNTERS**



Galley Line

Heated Modules

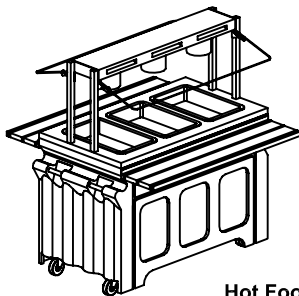
Model #	Electrical	W	D	H
---------	------------	---	---	---



Carving

Heated Entree Carving & Serving Module - Double Sided	S9010	120/60/1	28"	50"	57"
--	--------------	----------	-----	-----	-----

Including: Removable Front & Rear Closure & Access Panels, Interior Stainless Steel End Liners, Buffet Canopy-Heated 2-Sided, Two Tray Slides, Guarded Electric Controls Mounted In Side Skirt, Drains & Manifold, Drain Strainer, Decorator Panels, Two recessed and concealed stainless steel push-pull handles, NSF Standard 4, 4" deep hot wells with infinite switches, pilot lights, 500-watts, heated from all four sides and the bottom;

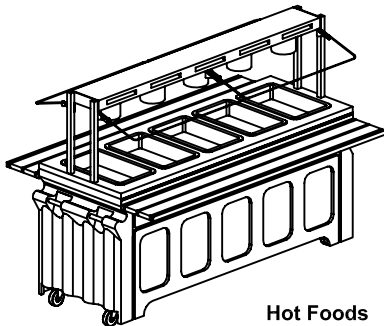


Hot Foods

Heated 3 Well Hot Food Module - Double Sided	S9030	120/60/1	50"	50"	57"
---	--------------	----------	-----	-----	-----

Including: Removable Front & Rear Closure & Access Panels, Interior Stainless Steel End Liners, Buffet Canopy-Lighted & Heated with 3 Stainless Steel Heat Lamps 2-Sided, Two Tray Slides, Guarded Electric Controls Mounted In Side Skirt, Wired to Load Center, Drains & Manifold, Drain Strainer, Decorator Panels, Two recessed and concealed stainless steel push-pull handles, NSF Standard 4, 4" deep hot wells with infinite switches, pilot lights, 500-watts, heated from all four sides and the bottom;

S9031	120/208/60/1
S9032	120/240/60/1
S9033	120/208/60/3
S9034	120/240/60/3



Hot Foods

Heated 5 Well Hot Food Module - Double Sided	S9050	120/60/1	79"	50"	57"
---	--------------	----------	-----	-----	-----

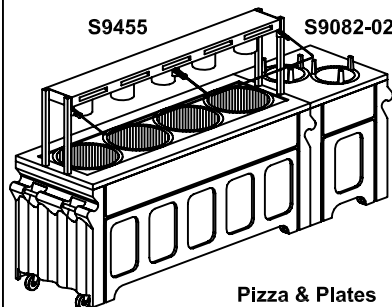
Including: Removable Front & Rear Closure & Access Panels, Interior Stainless Steel End Liners, Buffet Canopy-Lighted & Heated with 5 Stainless Steel Heat Lamps 2-Sided, Two Tray Slides, Guarded Electric Controls Mounted In Side Skirt, Wired to Load Center, Drains & Manifold, Drain Strainer, Decorator Panels, Two recessed and concealed stainless steel push-pull handles, NSF Standard 4, 4" deep hot wells with infinite switches, pilot lights, 500-watts, heated from all four sides and the bottom;

S9051	120/208/60/1
S9052	120/240/60/1
S9053	120/208/60/3
S9054	120/240/60/3

Heated Pizza Counter Module - Single Sided	S9455	120/60/1	79"	28"	57"
---	--------------	----------	-----	-----	-----

Designed to be used in combination with Model # **S9082-02** shown and listed below (drawing shows both modules):

Including: Built-In Warmer Countertop To Heat 80°-200°F, Removable Front Closure & Access Panel, Interior Stainless Steel End Liners, Buffet Canopy-Lighted & Heated with 5 Stainless Steel Heat Lamps 1-Sided, Stainless Steel Under Shelf, Decorator Panels, Two recessed and concealed stainless steel push-pull handles;



Pizza & Plates

Self Leveling Plate & Bowl Dispenser Module - Single Sided	S9082-02	None	28"	28"	36"
---	-----------------	------	-----	-----	-----

Designed to be used in combination with Model # **S9455** shown and listed above (drawing shows both modules):

Including: Removable Front & Rear Closure & Access Panels, Interior Stainless Steel End Liners, Two unheated Round Tubes For Plates & Bowls 8 1/4" - 9 1/8" Diameter, Decorator Panels, Two recessed and concealed stainless steel push-pull handles;

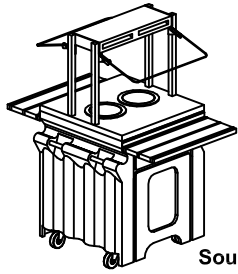
Color Is Indicated By Suffix Letters:

No Suffix = Pewter Tan & Stainless Steel A = Black Pearl & Stainless Steel W = Dove White & Stainless Steel S = Stainless Steel

Galley Line

Heated Modules

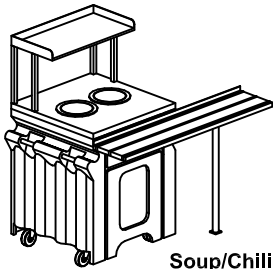
Model #	Electrical	W	D	H
---------	------------	---	---	---



Soup/Chili

Soup & Chili Hot Food Module - Double Sided	S9012	120/60/1	28"	50"	57"
--	--------------	----------	-----	-----	-----

Including: Removable Front & Rear Closure & Access Panels, Interior Stainless Steel End Liners, Buffet Canopy-Lighted 2-Sided, Two Tray Slides, Wired to Load Center, Guarded Electric Controls Mounted In Side Skirt, Decorator Panels, Two recessed and concealed stainless steel push-pull handles, NSF Standard 04, Two Round 7-Quart wells with infinite switches, pilot lights, 450-watts;



Soup/Chili

Soup & Chili Hot Food Module - Single Sided	S9012-02	120/60/1	50"	39"	57"
--	-----------------	----------	-----	-----	-----

Including: Removable Front & Rear Closure & Access Panels, Interior Stainless Steel End Liners, Cup/Bowl Shelf, Extended Tray Slide with Support Leg, Guarded Electric Controls Mounted In Side Skirt, Decorator Panels, Two recessed and concealed stainless steel push-pull handles, NSF Standard 04, Two Round 7-Quart wells with infinite switches, pilot lights, 450-watts;

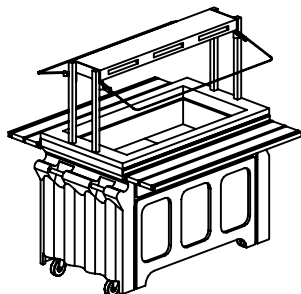
Color Is Indicated By Suffix Letters:

No Suffix = Pewter Tan & Stainless Steel A = Black Pearl & Stainless Steel W = Dove White & Stainless Steel S = Stainless Steel

Galley Line

Cold Modules

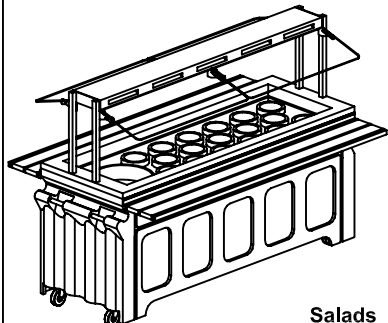
Model #	Electrical	W	D	H
---------	------------	---	---	---



Salads

Refrigerated Salad Bar & Cold Food Module - Double Sided	S9630	120/60/1	50"	50"	57"
---	--------------	----------	-----	-----	-----

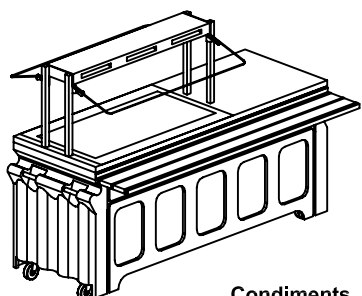
Including: Removable Front & Rear Closure & Access Panels, Interior Stainless Steel End Liners, Buffet Canopy-Lighted 2-Sided, Two Tray Slides, Guarded Electric Controls Mounted In Side Skirt, Wired to Load Center, Foodservice Pan Supports, Drain & Drain Strainer, Decorator Panels, Two recessed and concealed stainless steel push-pull handles, 10" deep NSF7 style, step rail, fully welded cold pan, with drain, 1" flexible hose and brass shut off valve for draining to a bucket or floor drain, and with frost above the step rail;



Salads

Refrigerated Salad Bar & Cold Food Module - Double Sided	S9650	120/60/1	79"	50"	57"
---	--------------	----------	-----	-----	-----

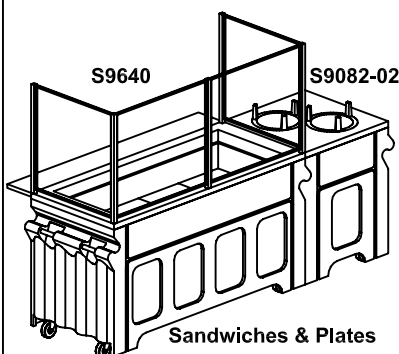
Including: Removable Front & Rear Closure & Access Panels, Interior Stainless Steel End Liners, Buffet Canopy-Lighted 2-Sided, Two Tray Slides, Guarded Electric Controls Mounted In Side Skirt, Wired to Load Center, Crock Display, Drain & Drain Strainer, Decorator Panels, Two recessed and concealed stainless steel push-pull handles, 10" deep NSF7 style, step rail, fully welded cold pan, with drain, 1" flexible hose and brass shut off valve for draining to a bucket or floor drain, and with frost above the step rail;



Condiments

Refrigerated Condiment Bar Module - Single Sided	S9650-03	120/60/1	79"	39"	57"
---	-----------------	----------	-----	-----	-----

Including: Removable Front Closure & Access Panels, Interior Stainless Steel End Liners, Buffet Canopy-Lighted 2-Sided, Tray Slide, Guarded Electric Controls Mounted In Side Skirt, Foodservice Pan Supports, Drain & Drain Strainer, Decorator Panels, Two recessed and concealed stainless steel push-pull handles, 10" deep NSF7 style, step rail, fully welded cold pan, with drain, 1" flexible hose and brass shut off valve for draining to a bucket or floor drain, and with frost above the step rail;



Sandwiches & Plates

Refrigerated Sandwich Bar Module - Single Sided	S9640	120/60/1	64.5"	36"	64"
--	--------------	----------	-------	-----	-----

Designed to be used in combination with Model # **S9082-02** shown and listed below (drawing shows both modules):

Including: Removable Front Closure & Access Panels, Interior Stainless Steel End Liners, Vertical Food Protector-Safety Glass, Folding Cutting Board, Stainless Steel Under Shelf, Foodservice Pan Supports, Eight (8) Clear Polycarbonate Pan 12" X 10" X 4", Stainless Steel Compressor Housing, Drain & Drain Strainer, Decorator Panels, Two recessed and concealed stainless steel push-pull handles, 10" deep NSF7 style, step rail, fully welded cold pan, with drain, 1" flexible hose and brass shut off valve for draining to a bucket or floor drain, and with frost above the step rail;

Self Leveling Plate & Bowl Dispenser Module - Single Sided	S9082-02	None	28"	28"	36"
---	-----------------	------	-----	-----	-----

Designed to be used in combination with Model # **S9640** shown and listed above (drawing shows both modules):

Including: Removable Front & Rear Closure & Access Panels, Interior Stainless Steel End Liners, Two unheated Round Tubes For Plates & Bowls 8 1/4" - 9 1/8" Diameter, Decorator Panels, Two recessed and concealed stainless steel push-pull handles;

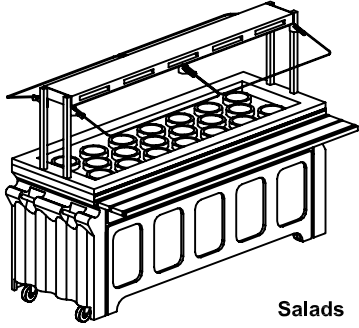
Color Is Indicated By Suffix Letters:

No Suffix = Pewter Tan & Stainless Steel A = Black Pearl & Stainless Steel W = Dove White & Stainless Steel S = Stainless Steel

Galley Line

Cold Modules

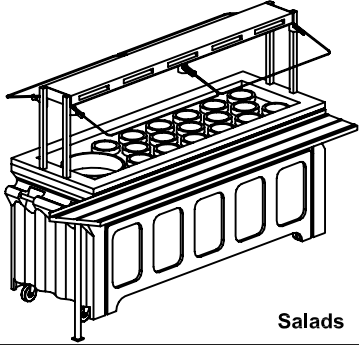
Model #	Electrical	W	D	H
---------	------------	---	---	---



Salads

Refrigerated Salad Bar & Cold Food Module - Single Sided	S9652	120/60/1	79"	39"	57"
---	--------------	----------	-----	-----	-----

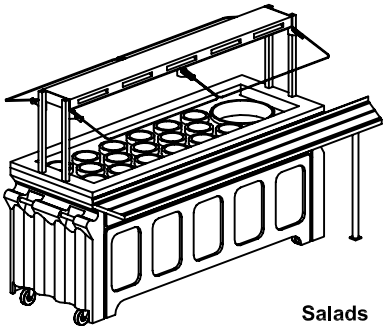
Including: Removable Front Closure & Access Panel, Refrigerated Base Cabinet, Buffet Canopy-Lighted 2-Sided, Tray Slide, Crock Display, Drain & Drain Strainer, Decorator Panels, Two recessed and concealed stainless steel push-pull handles, 10" deep NSF7 style, step rail, fully welded cold pan, with drain, 1" flexible hose and brass shut off valve for draining to a bucket or floor drain, and with frost above the step rail;



Salads

Refrigerated Salad Bar & Cold Food Module - Single Sided	S9652-02	120/60/1	101"	39"	57"
---	-----------------	----------	------	-----	-----

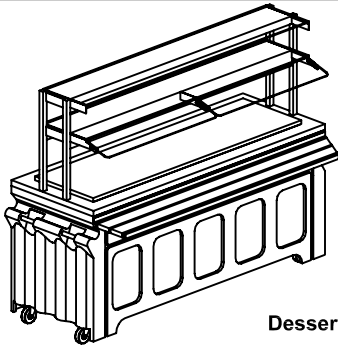
Including: Removable Front Closure & Access Panel, Refrigerated Base Cabinet, Buffet Canopy-Lighted 2-Sided, Extended Tray Slide with Support Leg, Crock Display, Drain & Drain Strainer, Decorator Panels, Two recessed and concealed stainless steel push-pull handles, 10" deep NSF7 style, step rail, fully welded cold pan, with drain, 1" flexible hose and brass shut off valve for draining to a bucket or floor drain, and with frost above the step rail;



Salads

Refrigerated Salad Bar & Cold Food Module - Single Sided	S9652-03	120/60/1	101"	39"	57"
---	-----------------	----------	------	-----	-----

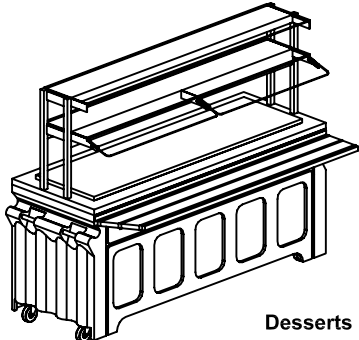
Including: Removable Front Closure & Access Panel, Refrigerated Base Cabinet, Buffet Canopy-Lighted 2-Sided, Extended Tray Slide with Support Leg, Crock Display, Drain & Drain Strainer, Decorator Panels, Two recessed and concealed stainless steel push-pull handles, 10" deep NSF7 style, step rail, fully welded cold pan, with drain, 1" flexible hose and brass shut off valve for draining to a bucket or floor drain, and with frost above the step rail;



Desserts

Refrigerated Dessert Bar & Cold Food Module - Single Sided	S9259	120/60/1	79"	39"	62"
---	--------------	----------	-----	-----	-----

Including: Removable Front Closure & Access Panel, Refrigerated Base Cabinet, Double Deck Display-Lighted under top shelf only 1-Sided, Tray Slide, Guarded Electric Controls Mounted In Side Skirt, Decorator Panels, Two recessed and concealed stainless steel push-pull handles, NSF Standard 07, fully welded cold pan, with drain, 1" flexible hose and brass shut off valve for draining to a bucket or floor drain;



Desserts

Refrigerated Dessert Bar & Cold Food Module - Single Sided	S9259-02	120/60/1	79"	39"	62"
---	-----------------	----------	-----	-----	-----

Including: Removable Front Closure & Access Panel, Refrigerated Base Cabinet, Double Deck Display-Lighted under top shelf only 1-Sided, Tray Slide, Guarded Electric Controls Mounted In Side Skirt, Decorator Panels, Two recessed and concealed stainless steel push-pull handles, NSF Standard 07, fully welded cold pan, with drain, 1" flexible hose and brass shut off valve for draining to a bucket or floor drain;

Color Is Indicated By Suffix Letters:

No Suffix = Pewter Tan & Stainless Steel A = Black Pearl & Stainless Steel W = Dove White & Stainless Steel S = Stainless Steel

Galley Line

Cold Modules

Model #	Electrical	W	D	H
---------	------------	---	---	---

Refrigerated Ice Cream Topping Bar Module - Single Sided	S9650-02	120/60/1	79"	39"	62"
--	----------	----------	-----	-----	-----

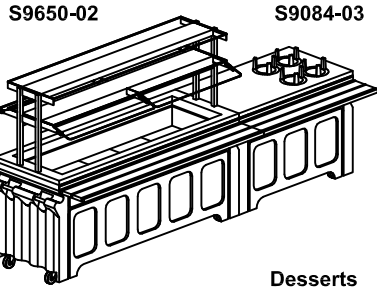
Designed to be used in combination with Model # S9084-03 shown and listed below (drawing shows both modules):

Including: Removable Front Closure & Access Panels, Interior Stainless Steel End Liners, Double Deck Display-Lighted 2-Sided, Tray Slide, Guarded Electric Controls Mounted In Side Skirt, Foodservice Pan Supports, Drain & Drain Strainer, Decorator Panels, Two recessed and concealed stainless steel push-pull handles, 10" deep NSF7 style, step rail, fully welded cold pan, with drain, 1" flexible hose and brass shut off valve for draining to a bucket or floor drain, and with frost above the step rail;

Self Leveling Plate & Bowl Dispenser Module - Single Sided	S9084-03	None	50"	39"	36"
--	----------	------	-----	-----	-----

Designed to be used in combination with Model # S9650-02 shown and listed above (drawing shows both modules):

Including: Removable Front Closure & Access Panel, Interior Stainless Steel End Liners, Tray Slide, Four unheated Round Tubes For Plates & Bowls up to 5" Diameter; Two recessed and concealed stainless steel push-pull handles;



Color Is Indicated By Suffix Letters:

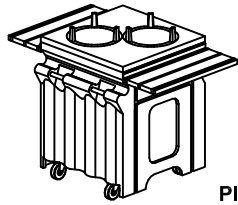
No Suffix = Pewter Tan & Stainless Steel A = Black Pearl & Stainless Steel W = Dove White & Stainless Steel S = Stainless Steel

Galley Line

Self Leveling Modules

Model #	Electrical	W	D	H
---------	------------	---	---	---

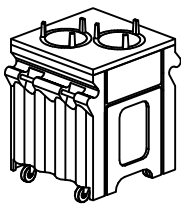
Self Leveling Plate & Bowl Dispenser Module - Double Sided	S9082-01	None	28"	50"	36"
---	-----------------	------	-----	-----	-----



Plates

Including: Removable Front & Rear Closure & Access Panels, Interior Stainless Steel End Liners, Two Tray Slides, Two unheated Round Tubes For Plates & Bowls 9 1/4" - 10 1/8" Diameter, Decorator Panels, Two recessed and concealed stainless steel push-pull handles;

Self Leveling Plate & Bowl Dispenser Module - Single Sided	S9082-02	None	28"	28"	36"
---	-----------------	------	-----	-----	-----

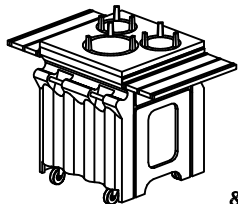


Plates

Used with model # S9455 & S9460 (shown on the pages)

Including: Removable Front & Rear Closure & Access Panels, Interior Stainless Steel End Liners, Two unheated Round Tubes For Plates & Bowls 8 1/4" - 9 1/8" Diameter, Decorator Panels, Two recessed and concealed stainless steel push-pull handles;

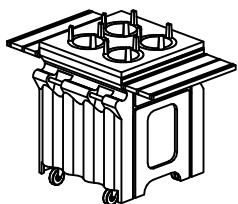
Self Leveling Plate & Bowl Dispenser Module - Double Sided	S9083-01	None	28"	50"	36"
---	-----------------	------	-----	-----	-----



Plates & Bowls

Including: Removable Front & Rear Closure & Access Panels, Interior Stainless Steel End Liners, Two Tray Slides, Two unheated Round Tubes For Plates & Bowls 5 7/8" - 6 1/2" Diameter and One unheated Round Tube For Plates & Bowls 9 1/4" - 10 1/8" Diameter, Decorator Panels, Two recessed and concealed stainless steel push-pull handles;

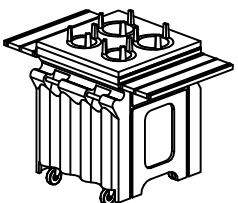
Self Leveling Plate & Bowl Dispenser Module - Double Sided	S9084-01	None	28"	50"	36"
---	-----------------	------	-----	-----	-----



Bowls

Including: Removable Front & Rear Closure & Access Panels, Interior Stainless Steel End Liners, Two Tray Slides, Four unheated Round Tubes For Plates & Bowls 5 7/8" - 6 1/2" Diameter, Decorator Panels, Two recessed and concealed stainless steel push-pull handles;

Self Leveling Plate & Bowl Dispenser Module - Double Sided	S9084-02	None	28"	50"	36"
---	-----------------	------	-----	-----	-----



Including: Removable Front & Rear Closure & Access Panels, Interior Stainless Steel End Liners, Two Tray Slides, Two unheated Round Tubes For Plates & Bowls up to 5" Diameter and Two unheated Round Tubes For Plates & Bowls 5 7/8" - 6 1/2" Diameter, Decorator Panels, Two recessed and concealed stainless steel push-pull handles;

Color Is Indicated By Suffix Letters:

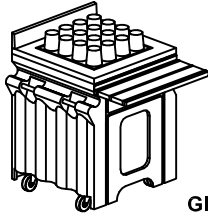
No Suffix = Pewter Tan & Stainless Steel A = Black Pearl & Stainless Steel W = Dove White & Stainless Steel S = Stainless Steel

Galley Line

Beverage Modules

Model #	Electrical	W	D	H
---------	------------	---	---	---

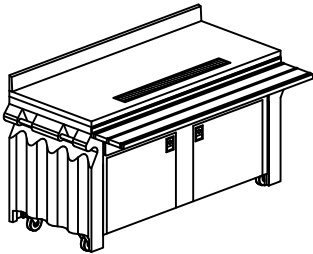
Self Leveling Rack Dispenser Module - Single Sided	S9060	None	28"	39"	36"
---	--------------	------	-----	-----	-----



Glasses

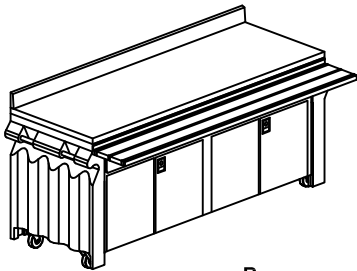
For 20" X 20" Cup And Glass Racks
Including: Removable Front & Rear Closure & Access Panels, Interior Stainless Steel End Liners, Tray Slide, Stainless Steel Backsplash with #4 finish, Decorator Panels, Two recessed and concealed stainless steel push-pull handles;

Reinforced Beverage Counter Module - Single Sided	S9540	None	64.5"	39"	36"
--	--------------	------	-------	-----	-----



Including: Removable Rear Closure & Access Panel, Stainless Steel Doors, Locks & Keys, Recessed Latches, Two Stainless Steel Shelves, Interior Stainless Steel End Liners, Stainless Steel Backsplash with #4 finish, Tray Slide, 36" Urn Drain Through, Splash Guard, Drain Hose And Shut Off Valve, Decorator Panels, Two recessed and concealed stainless steel push-pull handles;

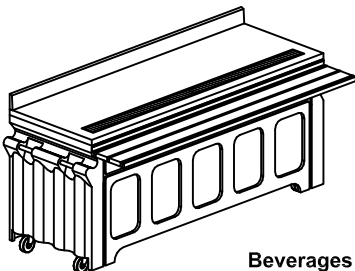
Reinforced Beverage Counter Module - Single Sided	S9550	None	79"	39"	36"
--	--------------	------	-----	-----	-----



Beverages

Including: Removable Rear Closure & Access Panel, Stainless Steel Doors, Locks & Keys, Recessed Latches, Two Stainless Steel Shelves, Interior Stainless Steel End Liners, Stainless Steel Backsplash with #4 finish, Tray Slide, Decorator Panels, Two recessed and concealed stainless steel push-pull handles;

Reinforced Beverage Counter Module - Single Sided	S9352	None	79"	39"	36"
--	--------------	------	-----	-----	-----



Beverages

Including: Removable Front & Rear Closure & Access Panels, Interior Stainless Steel End Liners, Stainless Steel Backsplash with #4 finish, Tray Slide, 71" Urn Drain Through, Splash Guard, Drain Hose And Shut Off Valve, Decorator Panels, Two recessed and concealed stainless steel push-pull handles;

Color Is Indicated By Suffix Letters:

No Suffix = Pewter Tan & Stainless Steel A = Black Pearl & Stainless Steel W = Dove White & Stainless Steel S = Stainless Steel

Galley Line

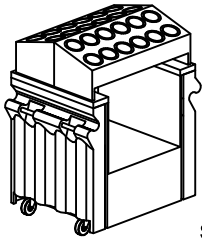
Miscellaneous Modules

Model #	Electrical	W	D	H
---------	------------	---	---	---

Tray & Silverware Starter Module - Double Sided	S9430	None	34.75"	28"	47.5"
--	--------------	------	--------	-----	-------

S9430	None	34.75"	28"	47.5"
--------------	------	--------	-----	-------

Including: Two Silverware Dispensers mounted Back to Back, 24 Silverware Cylinders, Stainless Steel Tray Cabinet Enclosure, Two recessed and concealed stainless steel push-pull handles;

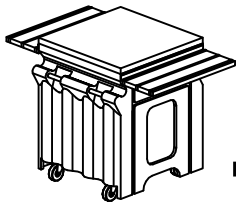


Trays & Silverware

Load Center Cabinet Module - Double Sided	S9510	120/208/60/1or3	28"	50"	36"
--	--------------	-----------------	-----	-----	-----

S9510	120/208/60/1or3	28"	50"	36"
--------------	-----------------	-----	-----	-----

Including: Removable Front Closure & Access Panel, Hinged Door for access to load Center, Interior Stainless Steel End Liners, Two Tray Slides, Decorator Panels, Stainless Steel Under Shelf, Two recessed and concealed stainless steel push-pull handles, Load Center and Receptacle Bank, 125 Amp;

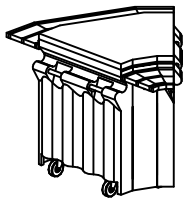


Electrical Cabinet

45° Corner Load Center Cabinet Module - Double Sided	S9425	120/208/60/1or3	34"	50"	36"
---	--------------	-----------------	-----	-----	-----

S9425	120/208/60/1or3	34"	50"	36"
--------------	-----------------	-----	-----	-----

Including: Hinged Door for access to load Center, Interior Stainless Steel End Liners, Two Tray Slides, Two recessed and concealed stainless steel push-pull handles, Load Center and Receptacle Bank, 125 Amp;



Electrical Cabinet

Color Is Indicated By Suffix Letters:

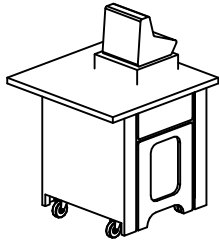
No Suffix = Pewter Tan & Stainless Steel A = Black Pearl & Stainless Steel W = Dove White & Stainless Steel S = Stainless Steel

Galley Line

Head Count & Cashier Station Modules

Model #	Electrical	W	D	H
---------	------------	---	---	---

Head Count & Cashier Module - Double Sided	S9407	120/60/1	36"	36"	36"
--	-------	----------	-----	-----	-----



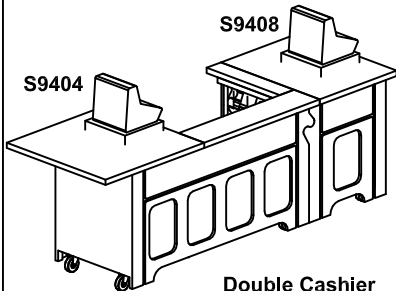
Cashier

Including: Removable Front & Rear Closure & Access Panels, Interior Stainless Steel End Liners, Extended Stainless Steel Top, Decorator Panels, Cash Drawer Lock & 2 Keys - No Dividers, One recessed and concealed stainless steel push-pull handle, Duplex Outlet, 3" cut out for cables/electric;

Deluxe Head Count & Cashier Module - Double Sided	S9404	120/60/1	72.5"	36"	36"
---	-------	----------	-------	-----	-----

Designed to be used in combination with Model # S9408 shown and listed below (drawing shows both modules):

Including: Removable Front Closure & Access Panels, Interior Stainless Steel End Liners, Extended Stainless Steel Top, Decorator Panels, Cash Drawer Lock & 2 Keys - No Dividers, One recessed and concealed stainless steel push-pull handle, One Permanent flat end, Duplex Outlet, 3" cut out for cables/electric;



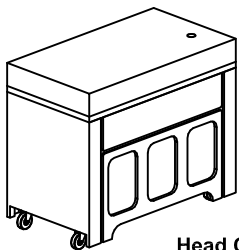
Double Cashier

Head Count & Cashier Module - Double Sided	S9408	120/60/1	36"	28"	36"
--	-------	----------	-----	-----	-----

Designed to be used in combination with Model # S9404 shown and listed above (drawing shows both modules):

Including: Removable Front & Rear Closure & Access Panels, Interior Stainless Steel End Liners, Extended Stainless Steel Top, Decorator Panels, Cash Drawer Lock & 2 Keys - No Dividers, One recessed and concealed stainless steel push-pull handle, Duplex Outlet, 3" cut out for cables/electric;

Head Count & Cashier Module - Single Sided	S9330	120/60/1	50"	28"	42"
--	-------	----------	-----	-----	-----



Head Count

Including: Removable Front Closure & Access Panel, Stainless Steel Under shelf, Interior Stainless Steel End Liners, Extended Height Stainless Steel Countertop, Decorator Panels, Duplex Outlet, 3" cut out for cables/electric;

Color Is Indicated By Suffix Letters:

No Suffix = Pewter Tan & Stainless Steel A = Black Pearl & Stainless Steel W = Dove White & Stainless Steel S = Stainless Steel

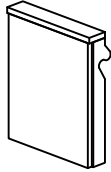
Galley Line

End Panels Accessories & Options

Model #	Electrical	W	D	H
---------	------------	---	---	---

Removable Flat End	8761	None	5.75"	28"	36"
--------------------	------	------	-------	-----	-----

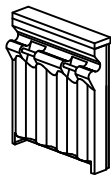
Removable Male End To Self-Mount To Female Matelock Panel;



End Panel

Removable Flat End	8762	None	5.75"	28"	36"
--------------------	------	------	-------	-----	-----

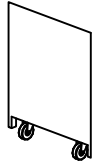
Removable Female End To Self-Mount To Male Matelock Panel;



End Panel

Permanent Flat End	8731	None	0"	28"	36"
--------------------	------	------	----	-----	-----

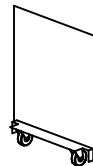
Permanent Flat Female End To Replace Male Matelock Panel,
Factory Installed in Lieu of Matelock End Panel;



End Panel

Permanent Flat End	8732	None	0"	28"	36"
--------------------	------	------	----	-----	-----

Permanent Flat Male End To Replace Female Matelock Panel,
Factory Installed in Lieu of Matelock End Panel;



End Panel

Color Is Indicated By Suffix Letters:

No Suffix = Pewter Tan & Stainless Steel A = Black Pearl & Stainless Steel W = Dove White & Stainless Steel S = Stainless Steel